



## Safety measures



- The instrument is not delivered in sterile condition! The Dermatome has to be cleaned, disinfected and sterilized prior first use and immediately after each use!
- Don't clean instrument with compressed air!
- Never manipulate Instrument with running motor due to risk of injuries!
- Attach instrument to the motor only when the motor is standing still.
- The Instrument may be operated by trained and experienced personnel only!
- The Dermatome may only be operated with speeds of up to 14,000 rpm!
- Improper use and repair of the device as well as not complying with the instructions relieve us from any obligations regarding guarantee or other claims.

## Device symbols

CE symbol with notified body	Autoclavable at 135°C	Thermal disinfection	Date of expiry
Warning	Manufacturer	Single use	Observe instructions for use
Don't use if packaging is damaged	Order number	Serial number	Lot number

## Technical data

Reference number	1992	1991	1990	1983
Description	Dermatome 25	Dermatome 50	Dermatome 75	Dermatome 100
Coupling to motor according to standard	ISO 3964	ISO 3964	ISO 3964	ISO 3964
Speed (stated)	14,000 rpm	14,000 rpm	14,000 rpm	14,000 rpm
Cutting width	25 mm	50 mm	75 mm	100 mm
Cutting depth (tolerance 0/+0,1 mm)	0 – 1,00 mm	0 – 1,00 mm	0 – 1,00 mm	0 – 1,00 mm
Max torque	6 Ncm	6 Ncm	6 Ncm	6 Ncm
Weight	330 g	420 g	560 g	700 g

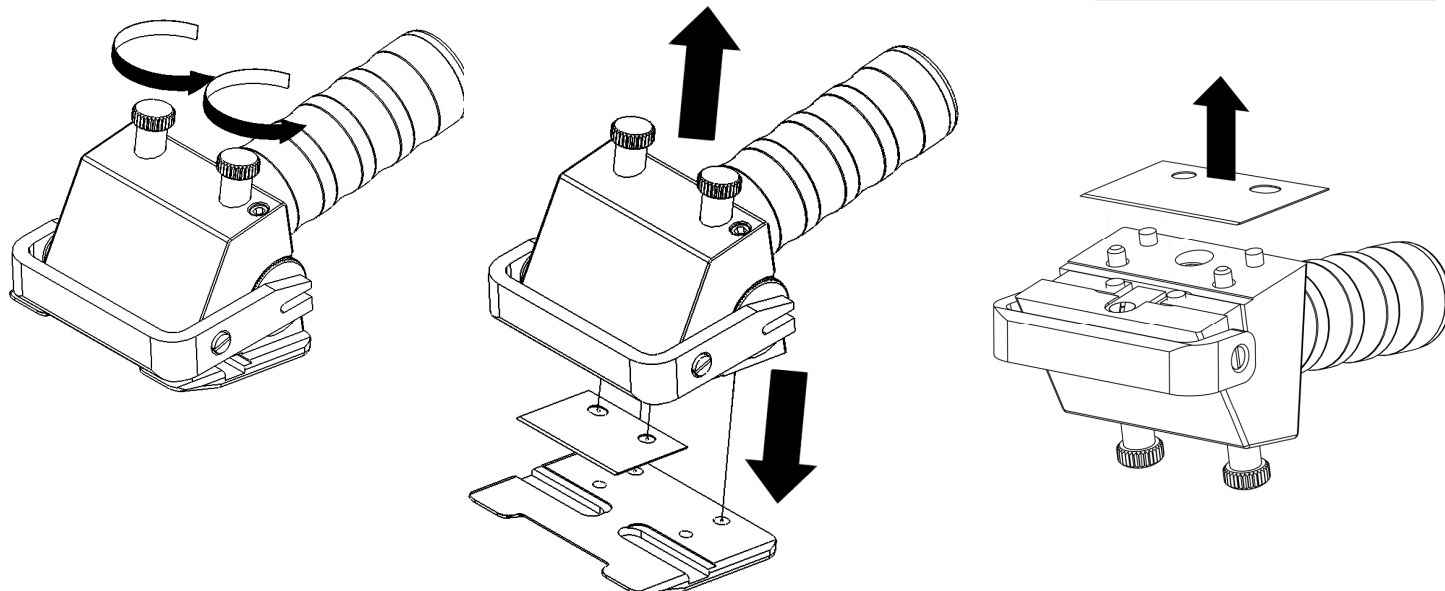
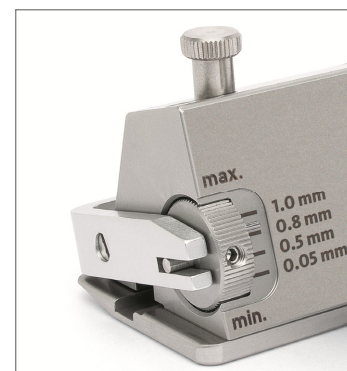
## Operation

### Replacing the blade

1. Unscrew both knurled screws at the head of the Dermatome.
2. Take off the base plate.
3. Remove the old blade and dispose of expertly.
4. Place the new, sterile blade on the fitting cams.
5. Place the base plate on the fitting cams and tighten the knurled screws.

### Adjusting the cutting depth


By turning the knurled wheel at the back of the Dermatome the cutting depth can be adjusted between 0.0 and 1.00 mm.



## Reprocessing instructions

Restrictions	Frequent reprocessing hardly affects the Dermatome. The products life end usually is determined by damage, wear and tear caused by usage.
--------------	---

### INSTRUCTIONS

At location of use	Remove surface contamination with a disposable cloth/paper towel.
Storage and transport	No special requirements. Avoid long waiting times until preparation due to risk of drying and corrosion.
Cleaning preparations	Remove screw and baseplate under running water, dispose of blade expertly, clean off contaminants with water. Do not lay Dermatome into ultrasonic bath.
Automatic cleaning and disinfection	Equipment: Cleaning/disinfection device with a special load carrier, which facilitates the connection of Handpieces (such as the Dermatome) to the cleaning/disinfection device and the rinsing of channels. For cleaning use neutral or alkaline cleaning agents at the recommended concentration. <ol style="list-style-type: none"> <li>Place Dermatome in the load carrier (rinsing of channels must be ensured).</li> <li>Place base plate in the fine-meshed basket.</li> <li>Start program. Perform the final rinse with fully deionized water.</li> <li>Perform a 10-minutes rinse (disinfection) at 93°C to facilitate thermal disinfection.</li> <li>When removing the Dermatome and the base plate, check for remaining visible contamination in gaps and grooves. If necessary, repeat the cycle or clean manually.</li> </ol>
Manual cleaning	Equipment: Neutral or alkaline cleaning agent, soft brush, running water <i>Procedure:</i> <ol style="list-style-type: none"> <li>Rinse and brush away the surface contamination on the dermatome and the baseplate.</li> <li>Apply cleaning agent with brush to all surfaces and gaps.</li> <li>Thoroughly rinse the dermatome and baseplate under running water.</li> </ol>
Manual disinfection	For manual disinfection, place the Dermatome and the base plate in a RKI*-tested disinfectant (insertion time according to instructions of disinfectant). * The list of disinfectants are available at the RKI (Robert Koch Institute).
Drying	If there is no drying program provided at the Cleaning and Disinfection Device, dry the Dermatome manually or in the drying chamber.
Inspection and maintenance	Check for visual damage, corrosion and wear. After disinfection spray the Dermatome with NouClean spray thoroughly and briefly, wipe with a moistened cloth (see instructions on the spray). Insert base plate into the guiding cams and tighten both screws. 
Ref. 1958	
Packaging	Single: Pack the Dermatome in an individual sterile supply package. The bag must be large enough so that the seal is not under tension. Sets: Arrange the Dermatome into the foreseen trays or put onto an all-purpose sterilisation tray.
Sterilization	Autoclave in vacuum autoclaves at 135°C for at least 5 minutes*. Do not exceed the maximum load of the steriliser, if several instruments are sterilised during one sterilisation cycle. Observe a drying phase for autoclaves without post-vacuum. Allow the Dermatome to dry in the bag with the paper side upwards. *The temperature hold times must comply with the local guidelines and standards.
Storage	No special requirements. If the sterilized Dermatome is not used immediately after sterilization the package must be marked with the sterilization date and it is recommended to add a sterility indicator to the package.

The above-indicated instructions have been validated by NOUVAG AG as being suitable for preparing a medical device to be reused. The preparer is responsible for ensuring that the actually performed preparation involving the equipment, materials and personnel used in the preparation facility achieves the desired results. This normally requires validation and routine monitoring of the procedure. Likewise, each deviation from the provided instructions should be carefully analysed for its effect and potential detrimental consequences.

## Troubleshooting

Malfunction	Cause	Solution
Motor runs but Dermatome is not cutting	Dermatome is not properly attached to the motor	Press Dermatome firmly to the motor until it clicks into place. Check seating by a slight countermovement.
Instrument runs not properly	Blade is not inserted properly	Check Instrument and tighten screws
Instrument is loud	Soiling or bad lubrication	Use NouClean-Spray for maintenance and care

## Spare parts and accessories

Ref.	Description	Units	Ref.	Description	Units
1997	Dermatome 25 spare blades	10	1984	NouClean-Spray	1
1996	Dermatome 50 spare blades	10	1958	Spray adapter for NouClean Spray	1
1995	Dermatome 75 spare blades	10	19886	Reduction base plate 75 to 25 mm	1
1919	Dermatome 100 spare blades	10	19887	Reduction base plate 75 to 50 mm	1
1882	Oil bottle	1	19872	Reduction base plate 100 to 75 mm	1
			19871	Reduction base plate 100 to 50 mm	1

## Service centers

### Switzerland

Nouvag AG • St.Gallerstrasse 23-25 • CH-9403 Goldach  
 Tel +41 (0)71 846 66 00 • Fax +41 (0)71 845 35 36  
 info@nouvag.com • www.nouvag.com

### Germany

Nouvag GmbH • Schulthaißstrasse 15 • D-78462 Konstanz  
 Tel +49 (0)7531 1290-0 • Fax +49 (0)7531 1290-12  
 info-de@nouvag.com • www.nouvag.com

### USA

Nouvag USA Inc. • 18058 Albyn Court • Lake Hughes, CA 93532 • USA  
 Tel +1 (661) 724 0217 • Fax +1 (661) 724 1590 • Toll free (800) 673 7427  
 paul@nouvagusa.com • www.nouvag.com

For all Nouvag service centers worldwide check: [www.nouvag.com](http://www.nouvag.com)

*If you require service, repairs or replacement parts, please contact the dealer or representative for your country.*

### Disposal:

When disposing of the device, device parts and accessories, the enacted requirements specified in legislation must be followed.